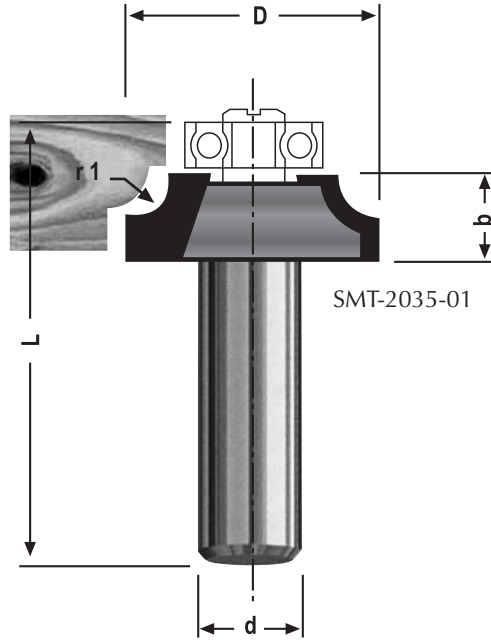


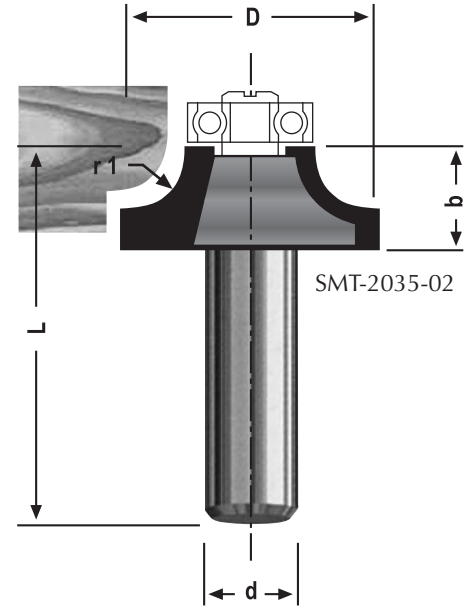


SERT METAL PLAKETLİ EL FREZE PROFİL BİÇAKLARI

T.C.T. PROFILE ROUTER CUTTERS WITH BALL BEARING



SMT-2035-01

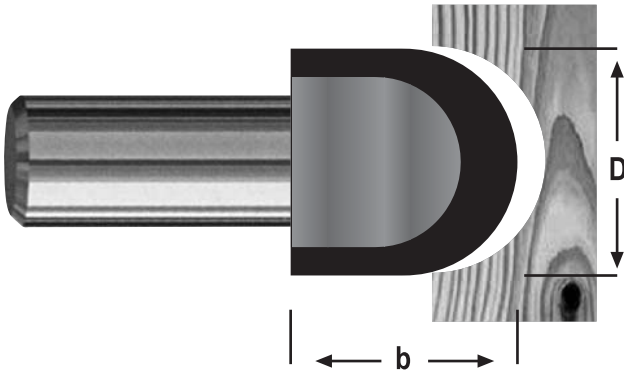


SMT-2035-02

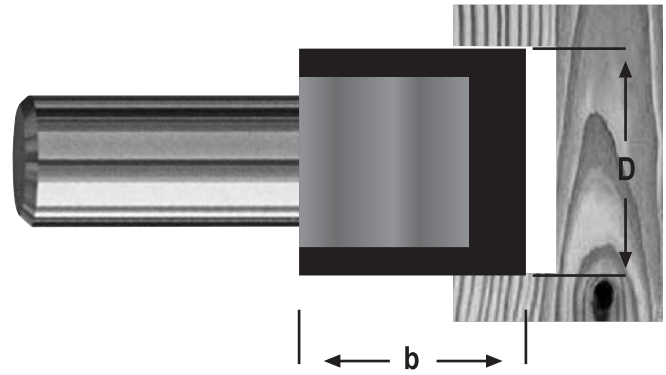
Kod / Art No:	D	b	r1	r2	r3	a°	L	d	Z
SMT2035-01	30	10	5				52	12	2
SMT2035-02	32	13	8				55	12	2
SMT2035-02	53	25	20				66	12	2

SERT METAL PLAKETLİ DIŞ CEPHE STRAFOR KAPLAMA BİÇAKLARI

T.C.T. PROFILE ROUTER CUTTERS WITH BALL BEARING



Kod / Art No:	D	b	r1	r2	r3	a°	L	d	Z
SMT-2036-01	30	30	15				65	12	2
SMT-2036-02	35	30	17.5				65	12	2
SMT-2036-03	40	30	20				65	12	2

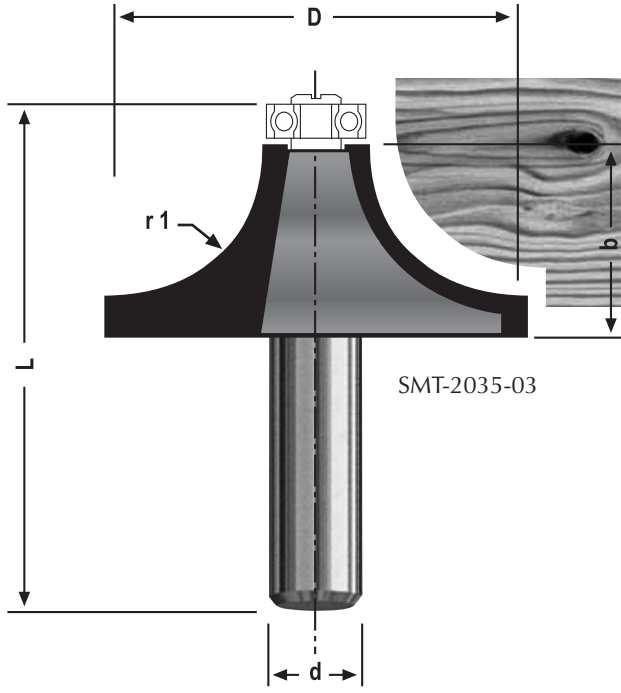


Kod / Art No:	D	b	r1	r2	r3	a°	L	d	Z
SMT-2037-01	30	30					65	12	2
SMT-2037-02	35	30					65	12	2
SMT-2037-03	40	30					65	12	2
SMT-2037-04	50	20					65	12	2

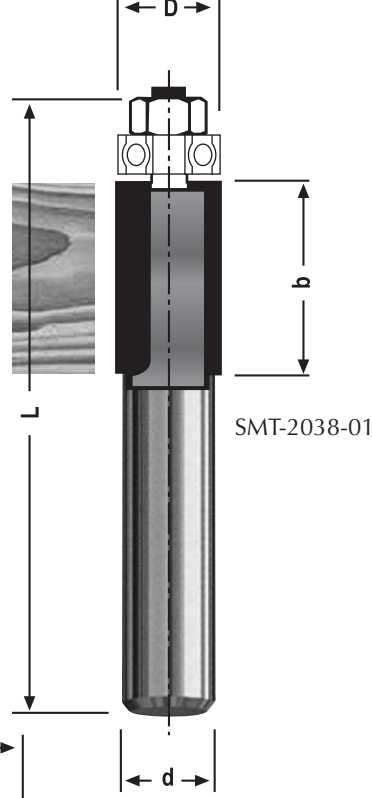


SERT METAL PLAKETLİ EL FREZE PROFİL BİÇAKLARI

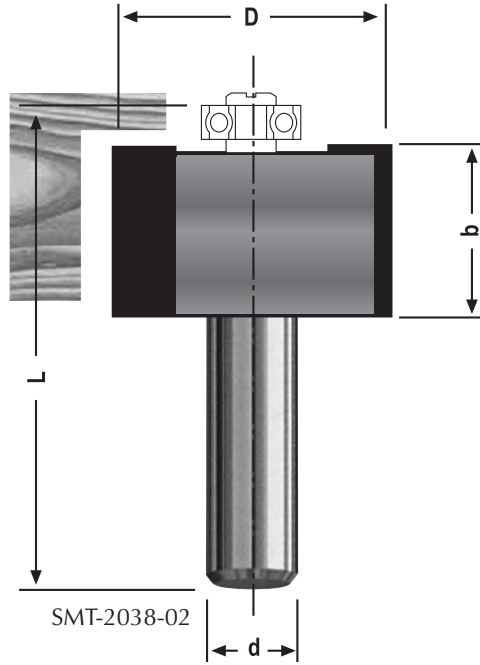
T.C.T. PROFILE ROUTER CUTTERS WITH BALL BEARING



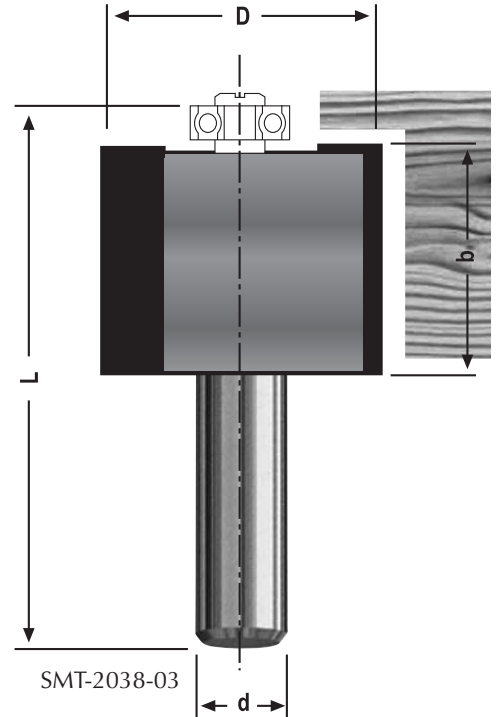
SMT-2035-03



SMT-2038-01



SMT-2038-02



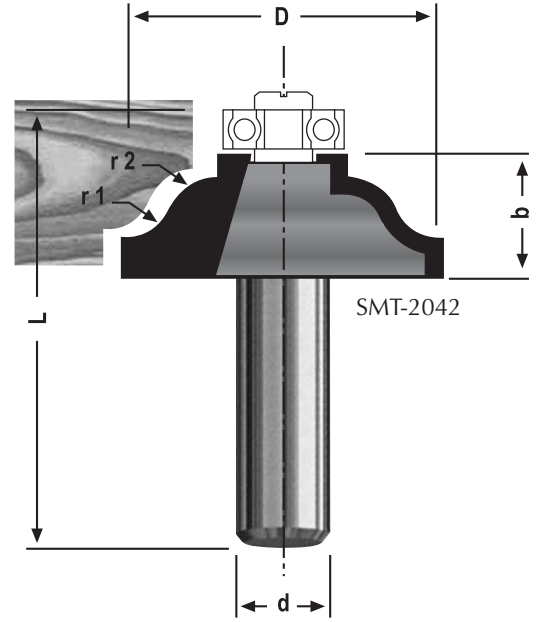
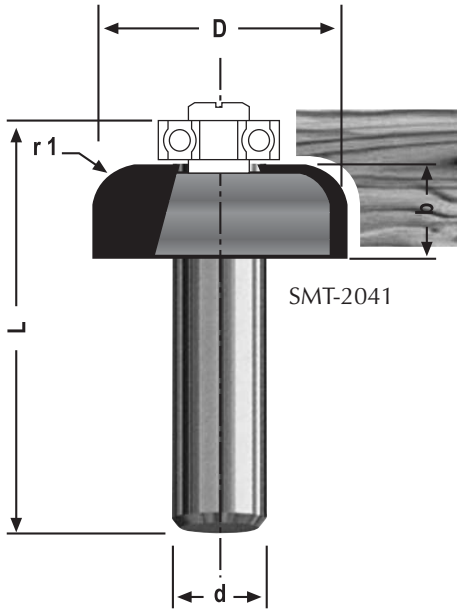
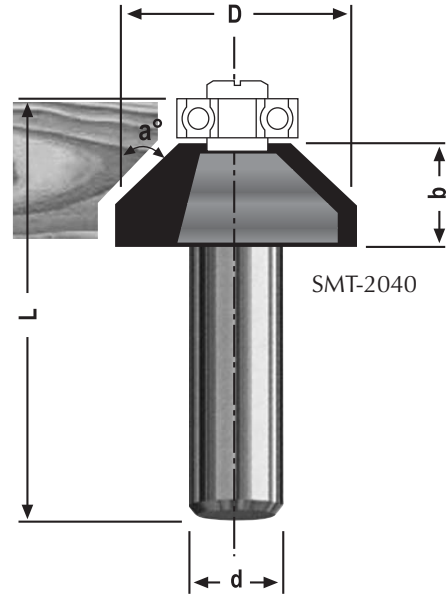
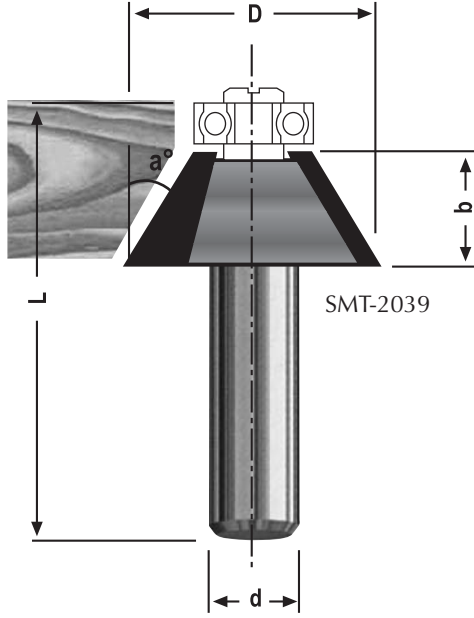
SMT-2038-03

Kod / Art No:	D	b	r1	r2	r3	a°	L	d	Z
SMT-2038-01	13	25					82	12	2
SMT-2038-02	35	22					63	12	2
SMT-2038-03	35	30					71	12	2



SERT METAL PLAKETLİ EL FREZE PROFİL BIÇAKLARI

T.C.T. PROFILE ROUTER CUTTERS WITH BALL BEARING

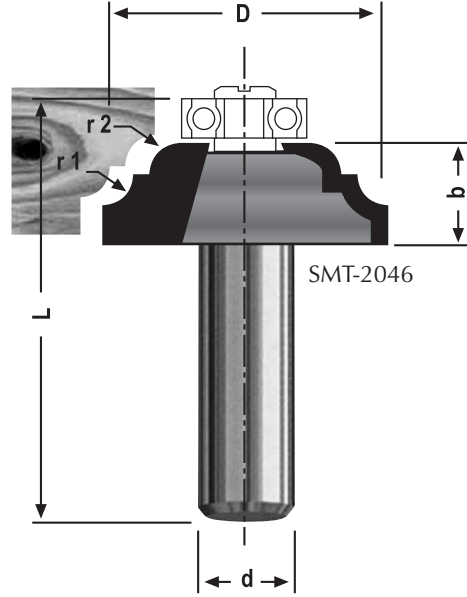
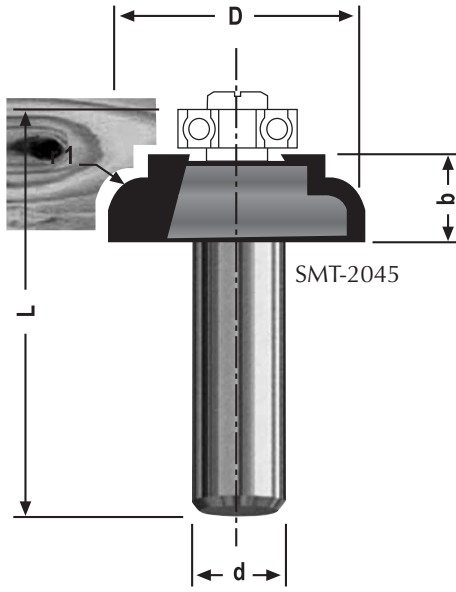
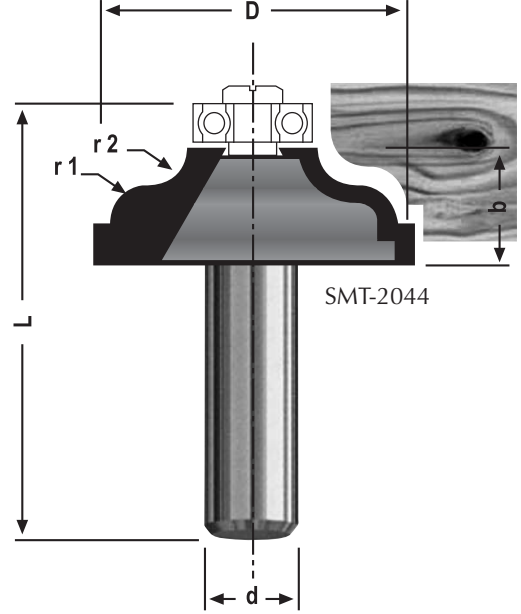
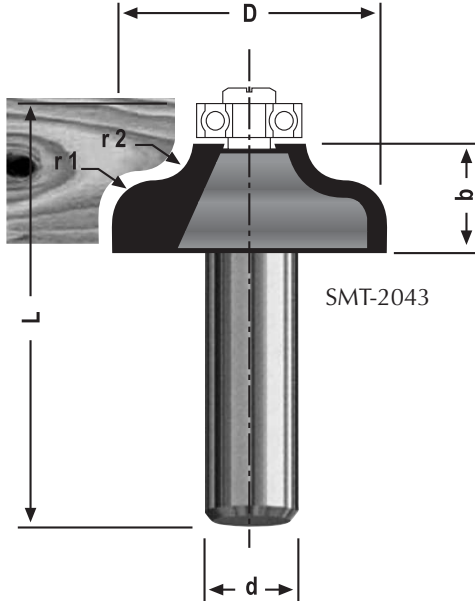


Kod / Art No:	D	b	r1	r2	r3	a°	L	d	Z
SMT-2039	32	15				30	57	12	2
SMT-2040	29	13				45	54	12	2
SMT-2041	32	12	6				54	12	2
SMT-2042	40	16	6.5				57	12	2



SERT METAL PLAKETLİ EL FREZE PROFİL BİÇAKLARI

T.C.T. PROFILE ROUTER CUTTERS WITH BALL BEARING

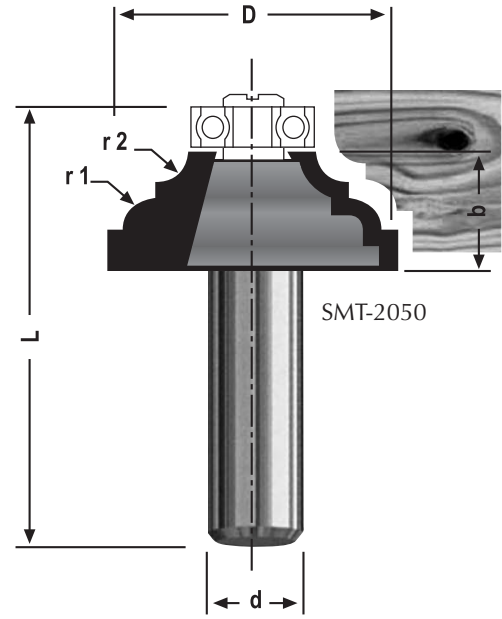
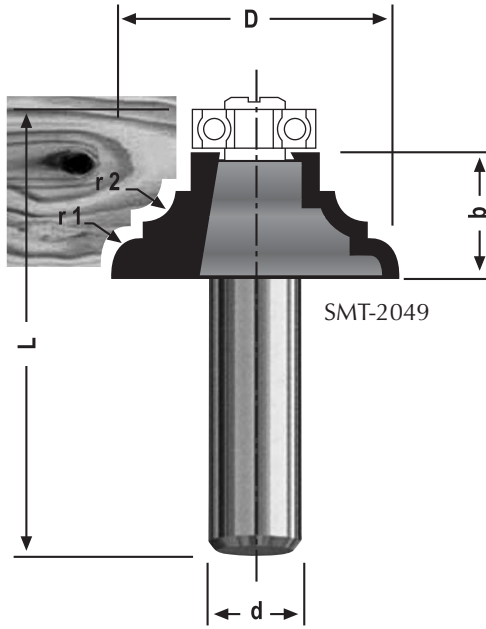
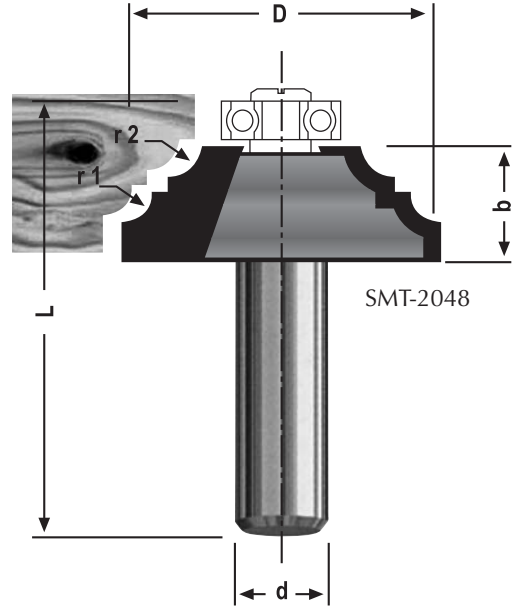
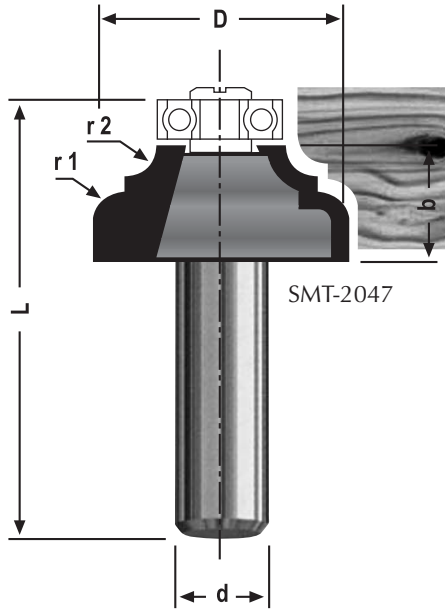


Kod / Art No:	D	b	r1	r2	r3	a°	L	d	Z
SMT-2043	34	14	5				55	12	2
SMT-2044	40	15	5				57	12	2
SMT-2045	32	11	5				53	12	2
SMT-2046	36	13	4	4			55	12	2



SERT METAL PLAKETLİ EL FREZE PROFİL BİÇAKLARI

T.C.T. PROFILE ROUTER CUTTERS WITH BALL BEARING

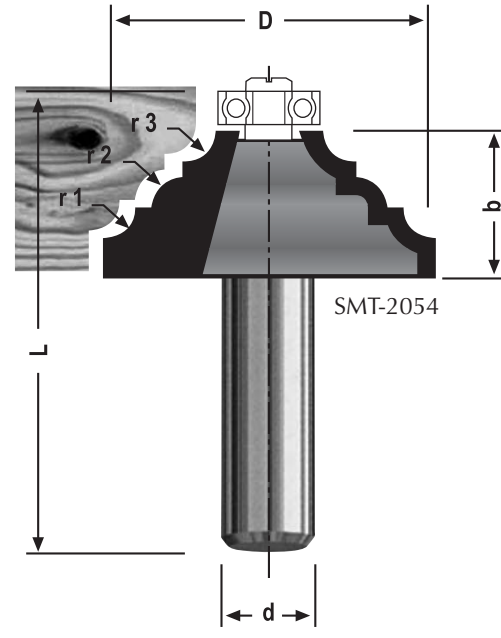
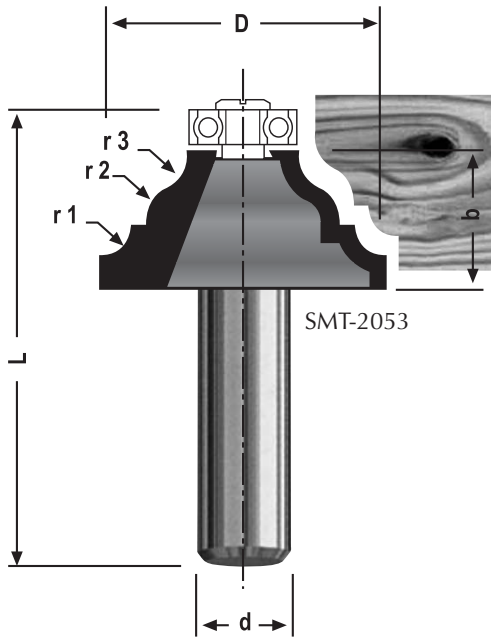
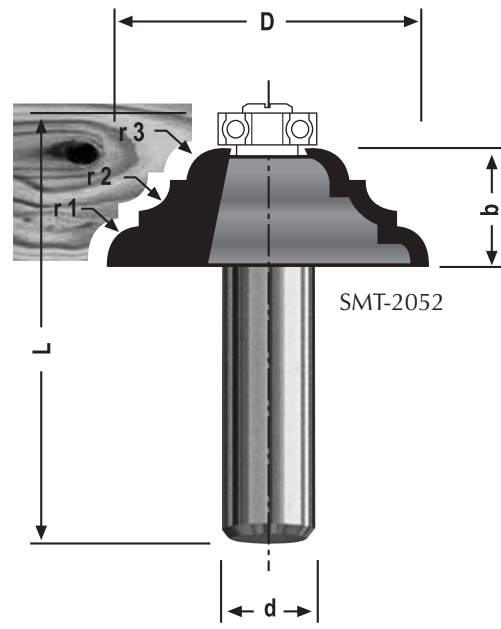
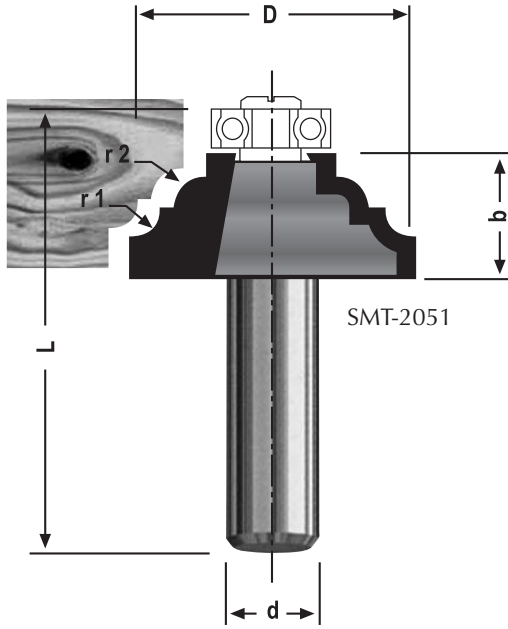


Kod / Art No:	D	b	r1	r2	r3	a°	L	d	Z
SMT-2047	32	15	4	4			57	12	2
SMT-2048	40	15	4	4			56	12	2
SMT-2049	36	16	4	4			58	12	2
SMT-2050	36	15	4	4			57	12	2



SERT METAL PLAKETLİ EL FREZE PROFİL BIÇAKLARI

T.C.T. PROFILE ROUTER CUTTERS WITH BALL BEARING

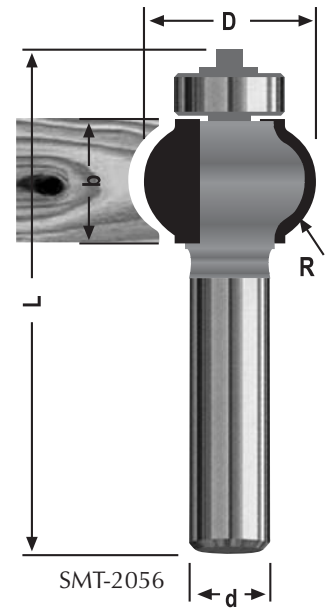
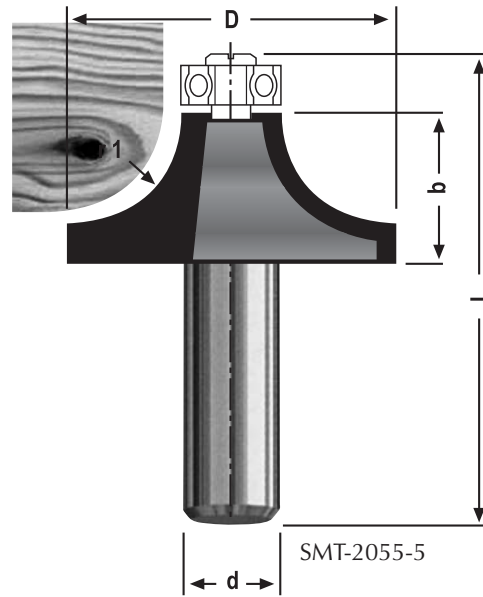
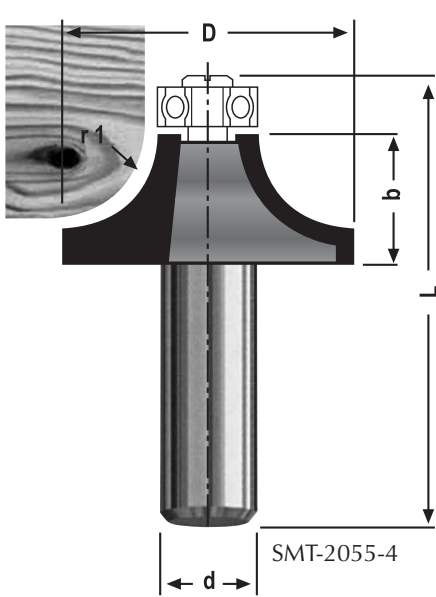
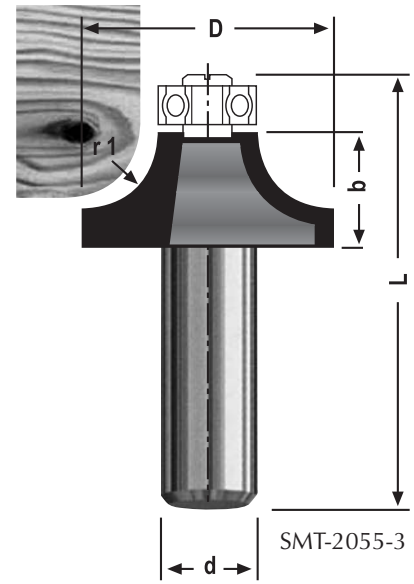
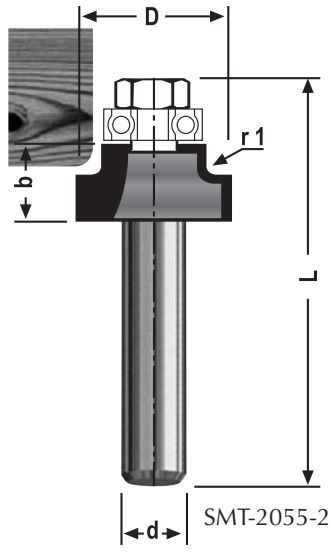
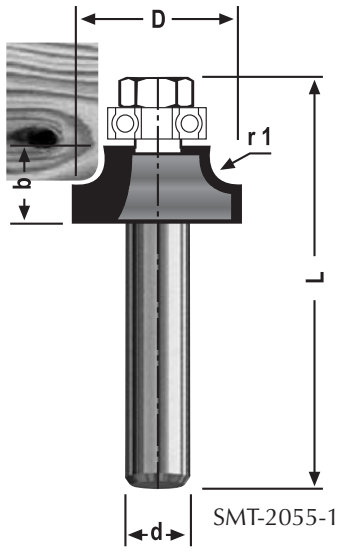


Kod / Art No:	D	b	r1	r2	r3	a°	L	d	Z
SMT-2051	36	16	4	4			58	12	2
SMT-2052	40	15	4	4	4		56	12	2
SMT-2053	36	18	4	5	5		59	12	2
SMT-2054	41	19	4	4	4		60	12	2



SERT METAL PLAKETLİ EL FREZE PROFİL BIÇAKLARI

T.C.T. PROFILE ROUTER CUTTERS WITH BALL BEARING



Kod / Art No:	D	b	r1	r2	r3	a°	L	d	Z
SMT-2055-1	21	10	3				57	6-8	2
SMT-2055-2	19	10	2				57	6-8	2
SMT-2055-2	33	15	10				56	12	2
SMT-2055-4	38	17.5	12.5				59	12	2
SMT-2055-5	43	20	15				61	12	2
SMT-2056	25	15	8				59	12	2