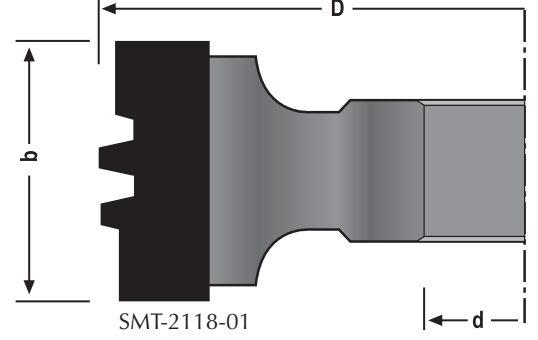
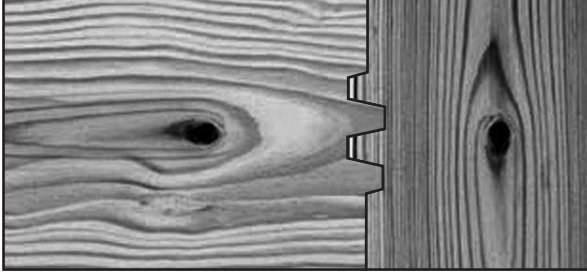
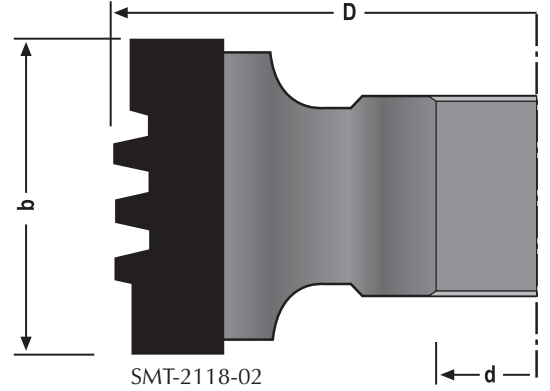
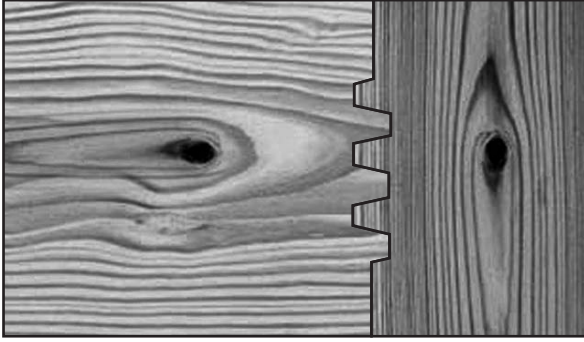




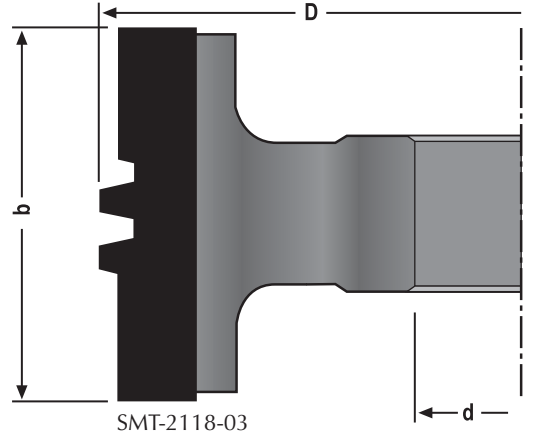
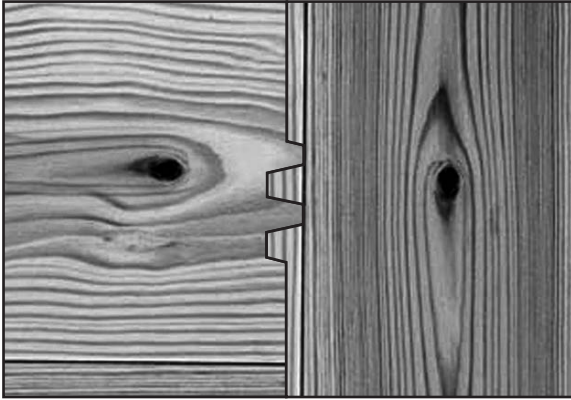
SERT METAL PLAKETLİ EN EKLEME BİÇAKLARI  
GLUE JOINT CUTTER BLOCK T.C.T. - HSS



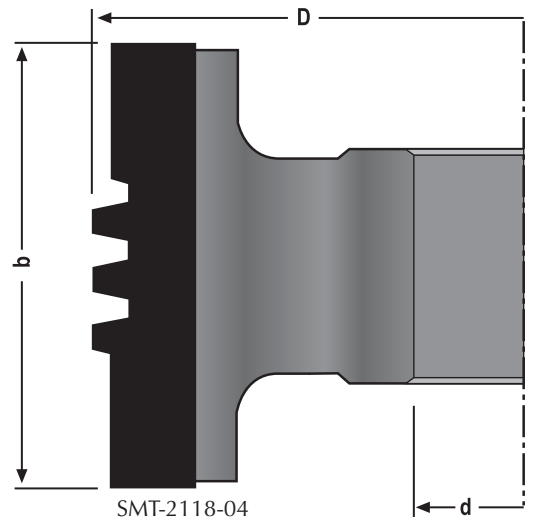
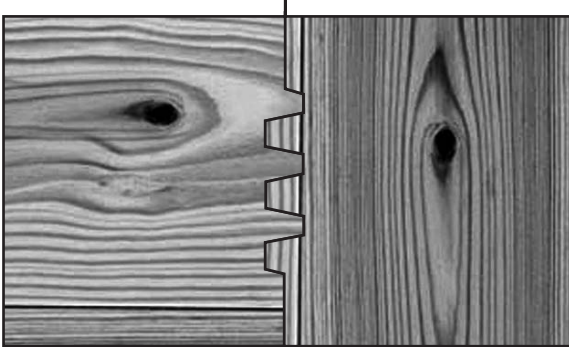
SMT-2118-01



SMT-2118-02



SMT-2118-03



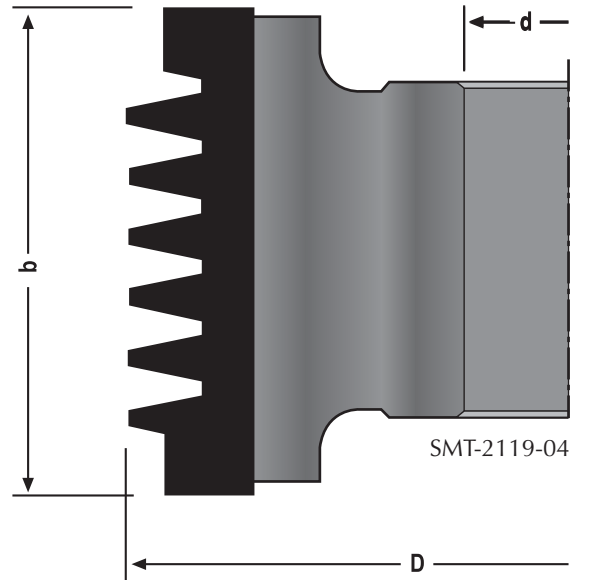
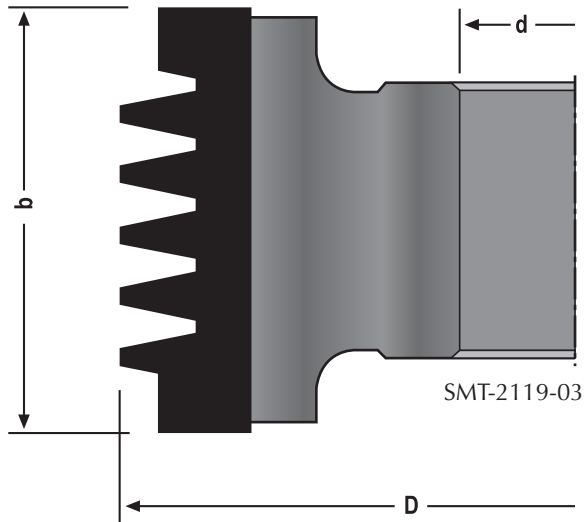
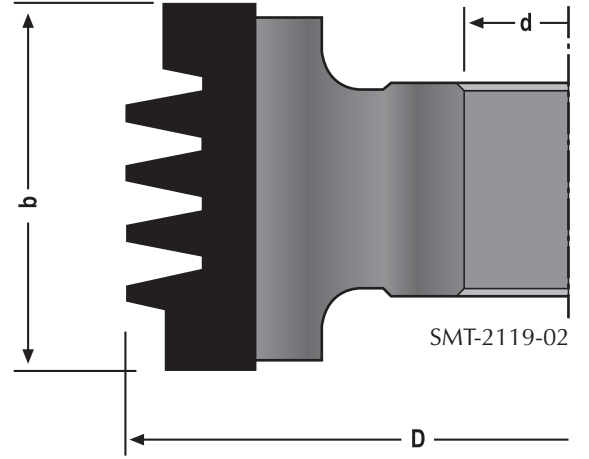
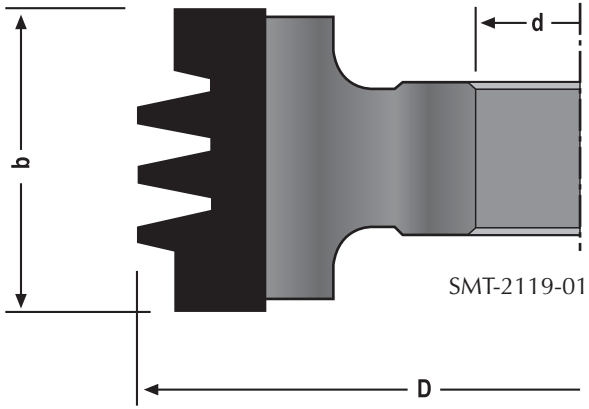
SMT-2118-04

Kod / Art No:	D	b	d	Z
SMT-2118-01	120	36	30	3
SMT-2118-02	120	44	30	3
SMT-2118-03	120	52	30	3
SMT-2118-04	120	62	30	3



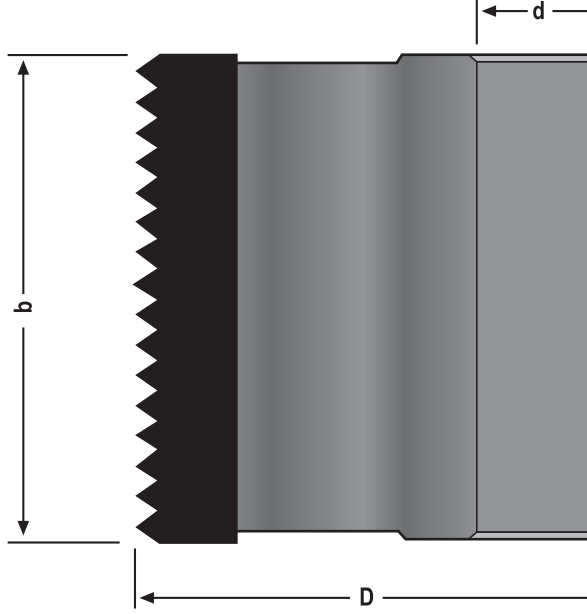
SERT METAL PLAKETLİ EN EKLEME BİÇAKLARI  
GLUE JOINT CUTTER BLOCK T.C.T. - HSS

Kod / Art No:	D	b	d	Z
SMT-2119-01	120	40	30	3
SMT-2119-02	120	48	30	3
SMT-2119-03	120	56	30	3
SMT-2119-04	120	64	30	3

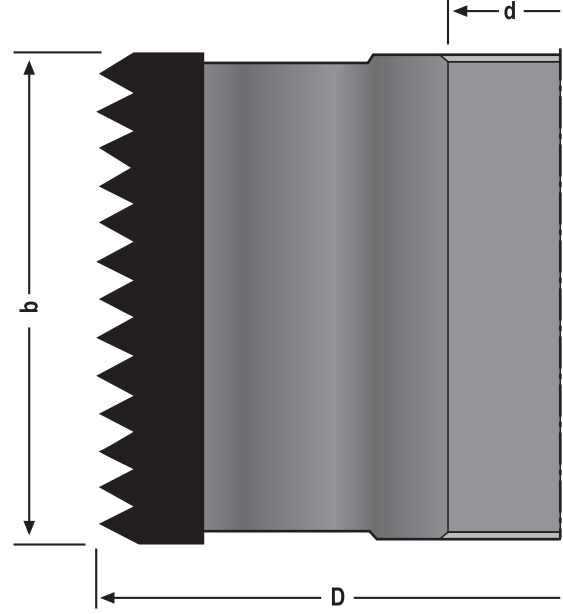




SERT METAL - HSS EN EKLEME BİÇAKLARI  
GLUE JOINT CUTTER BLOCK T.C.T. - HSS



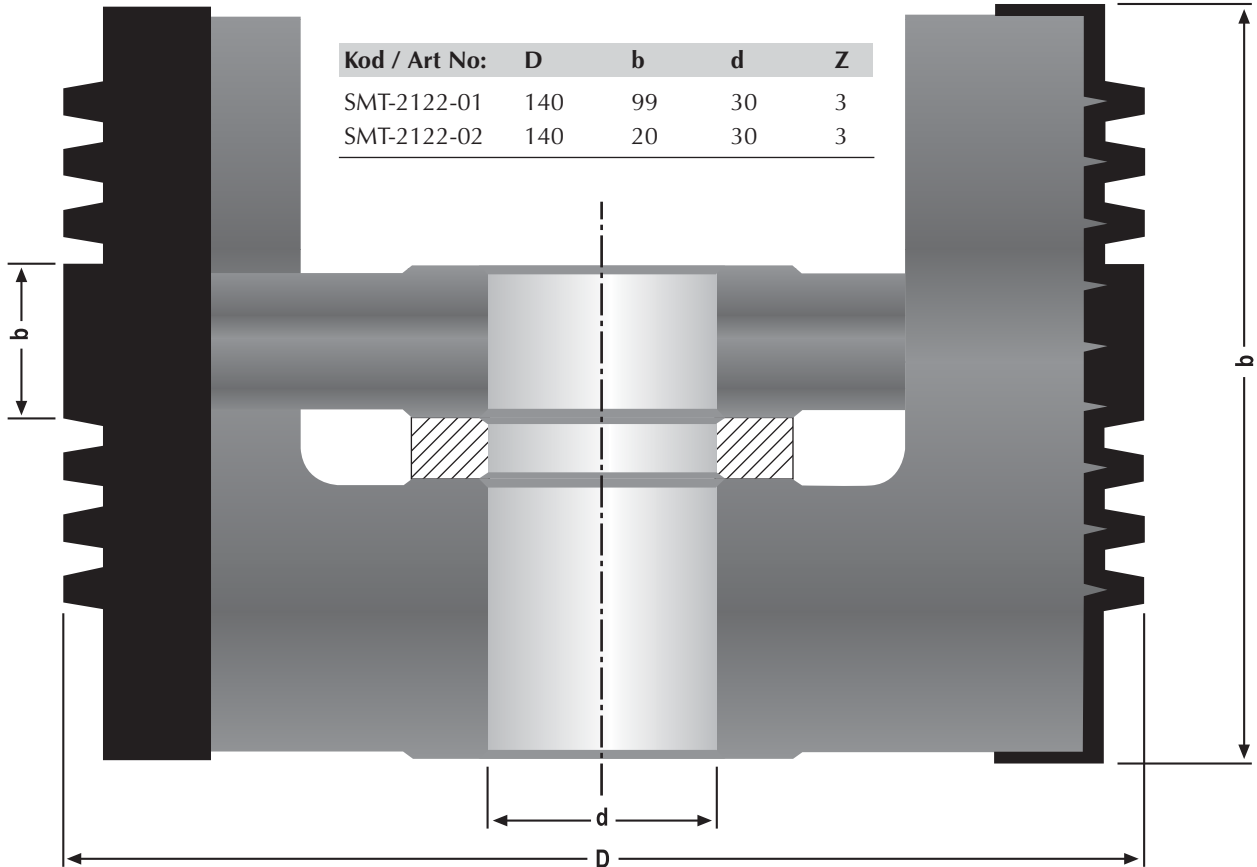
SERT METAL - HSS EN EKLEME BİÇAKLARI  
GLUE JOINT CUTTER BLOCK T.C.T. - HSS



Kod / Art No:	D	b	d	Z
SMT-2120-01	90	65	30	4
SMT-2120-02	90	85	30	4

Kod / Art No:	D	b	d	Z
SMT-2121-01	90	65	30	4
SMT-2121-02	90	85	30	4

SERT METAL PLAKETLİ AYARLI EKLEME BİÇAĞI  
ADJUSTABLE GLUE JOINT CUTTER BLOCK T.C.T.



Kod / Art No:	D	b	d	Z
SMT-2122-01	140	99	30	3
SMT-2122-02	140	20	30	3